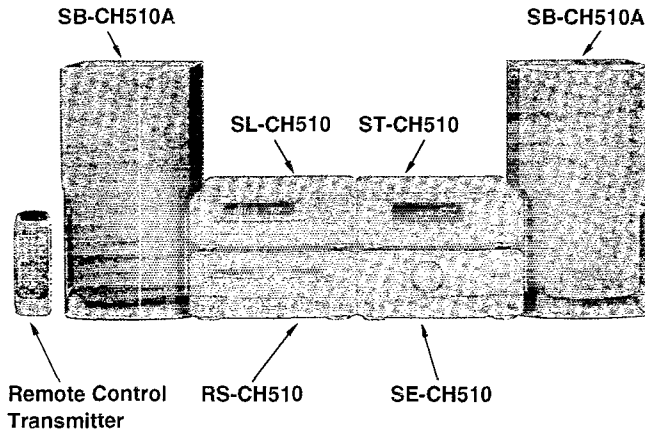


Service Manual

Amplifier

Amplifier

SE-CH510



Colour

(K) Black Type

Areas

Suffix for Model No.	Area	Colour
(E)	Europe	(K)
(EB)	Great Britain	
(EG)	Germany and Italy	
(GC)	Asia, Latin America, Middle Near East and Africa	
(GN)	Oceania	

Because of unique interconnecting cables, when a component requires service, send or bring in the entire system.

System: SC-CH510

Specifications

Power output	
DIN 1 kHz, THD 1%, both channel driven	2 x 35 W (6Ω)
Total harmonic distortion	
Rated power at 1 kHz	1% (6Ω)
Half power at 1 kHz	0.09% (6Ω)
Load impedance	
MAIN	6Ω
S/N (rated power)	
MAIN	84 dB
Frequency response	
MAIN	40 Hz – 30 kHz

General

Power consumption	128 W
Power supply	
For (E) and (EG) areas	50 Hz/60 Hz AC, 230 V
For (EB) and (GN) areas	50 Hz/60 Hz AC, 230 V – 240 V
For (GC) area only	50 Hz/60 Hz AC, 110 V/127 V/220 V/240V
Dimensions (W x H x D)	270 x 118.5 x 339.5 mm
Weight	
For (E), (EB), (EG) and (GN) areas	4.2 kg
For (GC) area only	4.4 kg

Notes:

- Specifications are subject to change without notice. Weight and dimensions are approximate.
- Total harmonic distortion is measured by the digital spectrum analyzer.

System	Tuner/sound processor	Compact disc player	Amplifier	Cassette Deck	Speakers
SC-CH510	ST-CH510	SL-CH510	SE-CH510	RS-CH510	* SB-CH510A

* : For (E), (EG), (EB) areas Made in PAES
For (GC), (GN) areas Made in NABEL

■ Contents

	Page		Page
● Before Repair	2	● Operation Check and	
● Protection Circuitry	2	Main Component Replacement Procedures	12, 13
● Caution for AC Mains Lead	3	● Schematic Diagram	14~16
● Accessories	4	● Printed Circuit Board Diagram	17~19
● Stacking the Components	5	● Wiring Connection Diagram	20
● Connections	6~10	● Block Diagram	21
● Location of Controls	11	● Replacement Parts List	22~25
● Power Source ON/OFF of This Unit SE-CH510	11	● Cabinet Parts Location	26
		● Packaging	27, 28

■ Before Repair

- (1) Turn off the power supply. Using a 10 Ω , 10 W resistor, connect both ends of power supply capacitors (C701, C702) in order to discharge the voltage.
- (2) Before turning the power supply on, after completion of repair, slowly apply the primary voltage by using a power supply voltage controller to make sure that the consumed current at 50/60 Hz in NO SIGNAL mode should be shown below with respect to supply voltage 110 V/127 V/220 V/240 V.

Power supply voltage	AC 230 V	AC 240 V	AC 110~127 V	AC 220~240 V
Consumed current 50Hz	50~150 mA	50~150 mA	100~320 mA	50~160 mA

■ Protection Circuitry

The protection circuitry may have operated if either of the following conditions is noticed:

- * No sound is heard when the power is switched ON.
- * Sound stops during a performance.

The functions of this circuitry is to prevent circuitry damage if, for example, the positive and negative speaker connection wires are "shorted", or if speaker systems with an impedance less than the indicated rated impedance of this unit are used.

If this occurs, follow the procedure outlined below:

1. Switch OFF the power.
2. Determine the cause of the problem and correct it.
3. Switch ON the power once again.

Note:

When the protection circuitry functions, the unit will not operate unless the power is first switched OFF and then ON again.

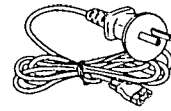
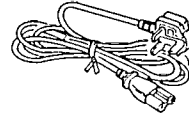
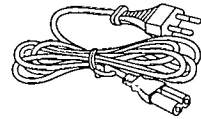
For areas except (E) (EB) (EG) (GN)

CAUTION:

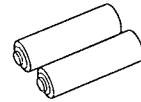
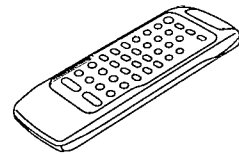
The AC voltage differs according to the area.
Be sure to set the proper voltage in your area before use.

■ Accessories

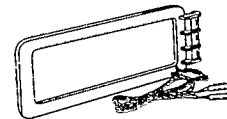
- AC power supply cord 1
for (E), (EG) and (GC) areas : (RJA0019-2A) for (EB) area : (VJA0733) for (GN) area : (RJA0036-K)



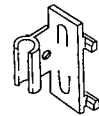
- Remote control transmitter (RAK-CH144WH) 1
- Batteries (UM-4, "AAA", R03) 2
Note: These are available on sales route.



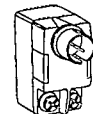
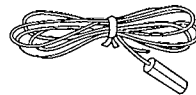
- Flat cable
Long (REX0511) 1
Short (REX0608) 1
- AM (LW/MW) loop antenna (RSA0012) 1



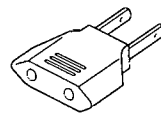
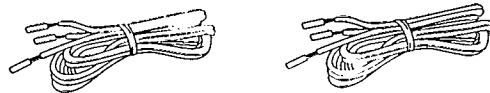
- Antenna holder (RMN0244) 1
- Mounting screw (XTN3+12AFZ) 1



- FM indoor antenna (RSA0007) 1
- Antenna plug (RFE0014) 1
for (GC) and (GN) areas



- Speaker cords (REE0499) 2
- Power plug adaptor (SJP5213-2) 1
for (GC) area only



- Attachment plug for (EB) area (SJP9009) 1



Note:

The configurations of AC power supply cord and FM indoor antenna differ according to area.

■ Caution for AC Mains Lead

("EB" area code model only)

For your safety, please read the following text carefully.

This appliance is supplied with a moulded three pin mains plug for your safety and convenience.

A 5-ampere fuse is fitted in this plug.

Should the fuse need to be replaced please ensure that the replacement fuse has a rating of 5-ampere and that it is approved by ASTA or BSI to BS1362.

Check for the ASTA mark  or the BSI mark  on the body of the fuse.

If the plug contains a removable fuse cover you must ensure that it is refitted when the fuse is replaced.

If you lose the fuse cover the plug must not be used until a replacement cover is obtained.

A replacement fuse cover can be purchased from your local dealer.

CAUTION!

IF THE FITTED MOULDED PLUG IS UNSUITABLE FOR THE SOCKET OUTLET IN YOUR HOME THEN THE FUSE SHOULD BE REMOVED AND THE PLUG CUT OFF AND DISPOSED OF SAFELY.

THERE IS A DANGER OF SEVERE ELECTRICAL SHOCK IF THE CUT OFF PLUG IS INSERTED INTO ANY 13-AMPERE SOCKET.

If a new plug is to be fitted please observe the wiring code as shown below.

If in any doubt please consult a qualified electrician.

IMPORTANT

The wires in this mains lead are coloured in accordance with the following code:

Blue: Neutral


Brown: Live

As the colours of the wires in the mains lead of this appliance may not correspond with the coloured markings identifying the terminals in your plug, proceed as follows:

The wire which is coloured BLUE must be connected to the terminal in the plug which is marked with the letter N or coloured BLACK.

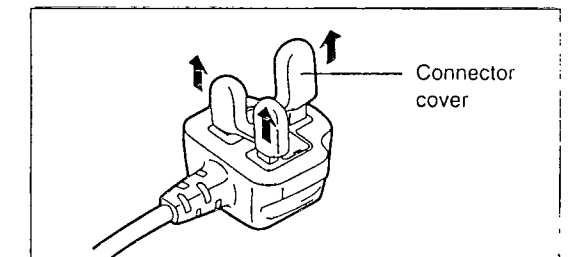
This apparatus was produced to BS 800.

The wire which is coloured BROWN must be connected to the terminal in the plug which is marked with the letter L or coloured RED.

Under no circumstances should either of these wires be connected to the earth terminal of the three pin plug, marked with the letter E or the Earth Symbol .

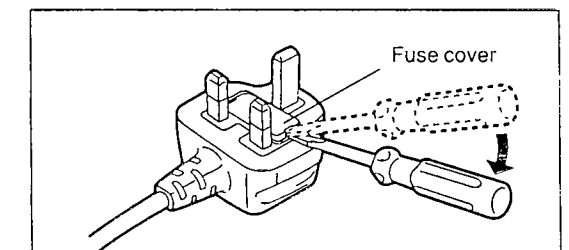
Before use

Remove the connector cover as follows.

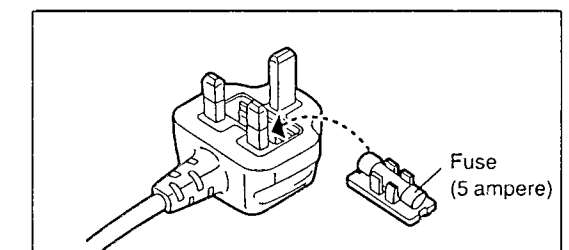


How to replace the fuse

1. Remove the fuse cover with a screwdriver.



2. Replace the fuse and attach the fuse cover.



Stacking the Components

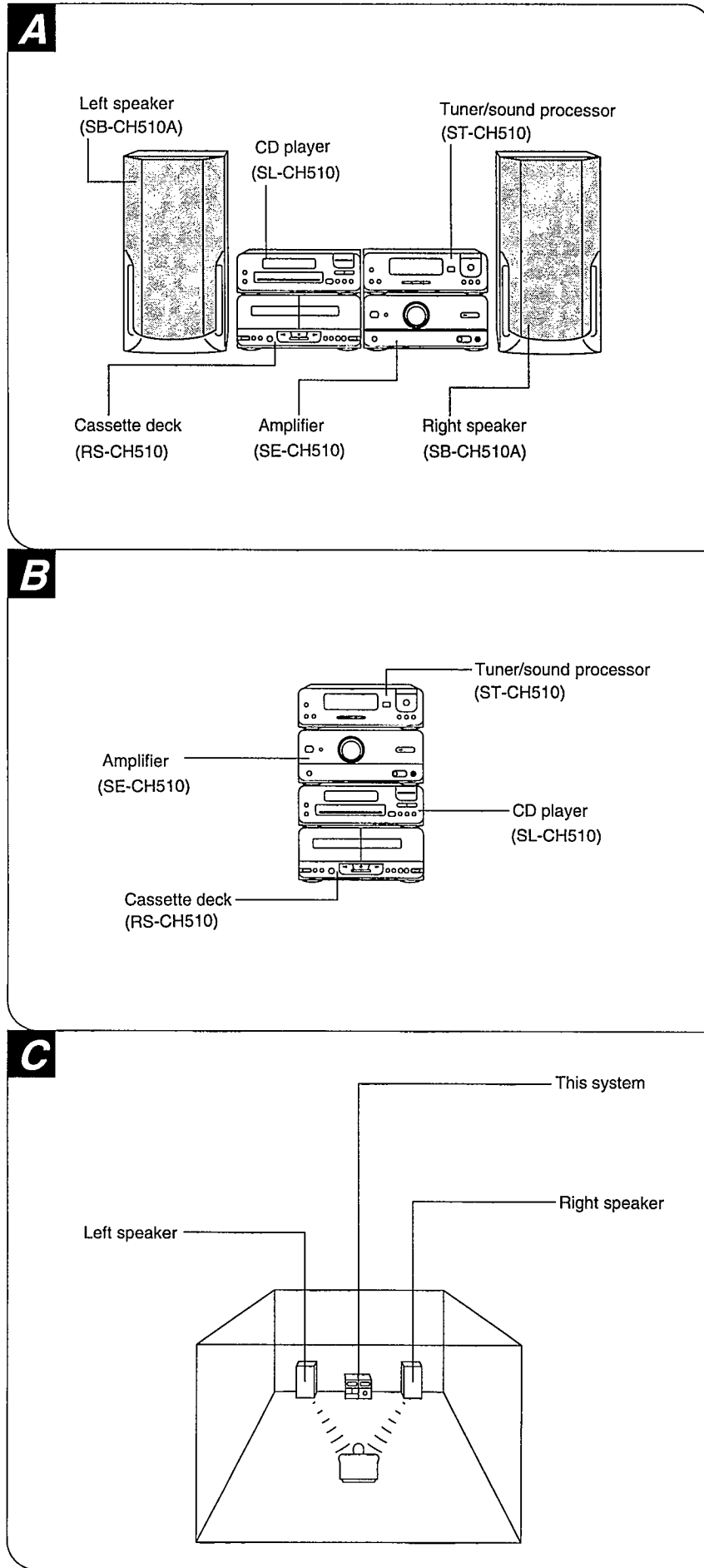
Install the various components as shown in the illustration.

Horizontal stacking **A**

Vertical stacking **B**

System layout example **C**

To produce a better stereo sound, install both speakers away from the system.



Connections

Connect the AC power supply cord after you have connected all other cables.

1 Connect the flat cables.

Hold the connector with the recessed part up and press in at the center until you hear a click.

1. Connect the shorter flat cable to the terminal of the tuner/sound processor and amplifier.
2. Connect the longer flat cable to the terminal of the tuner/sound processor, compact disc player, and cassette deck.

Be sure to connect the blue-colored connector to B1 (tuner/sound processor).

After connection, hold and press the cable as flat to the back of the unit as possible. (To minimize noise pickup while listening an AM broadcast)

Do not try connecting or disconnecting the flat cables while the power is switched to ON.

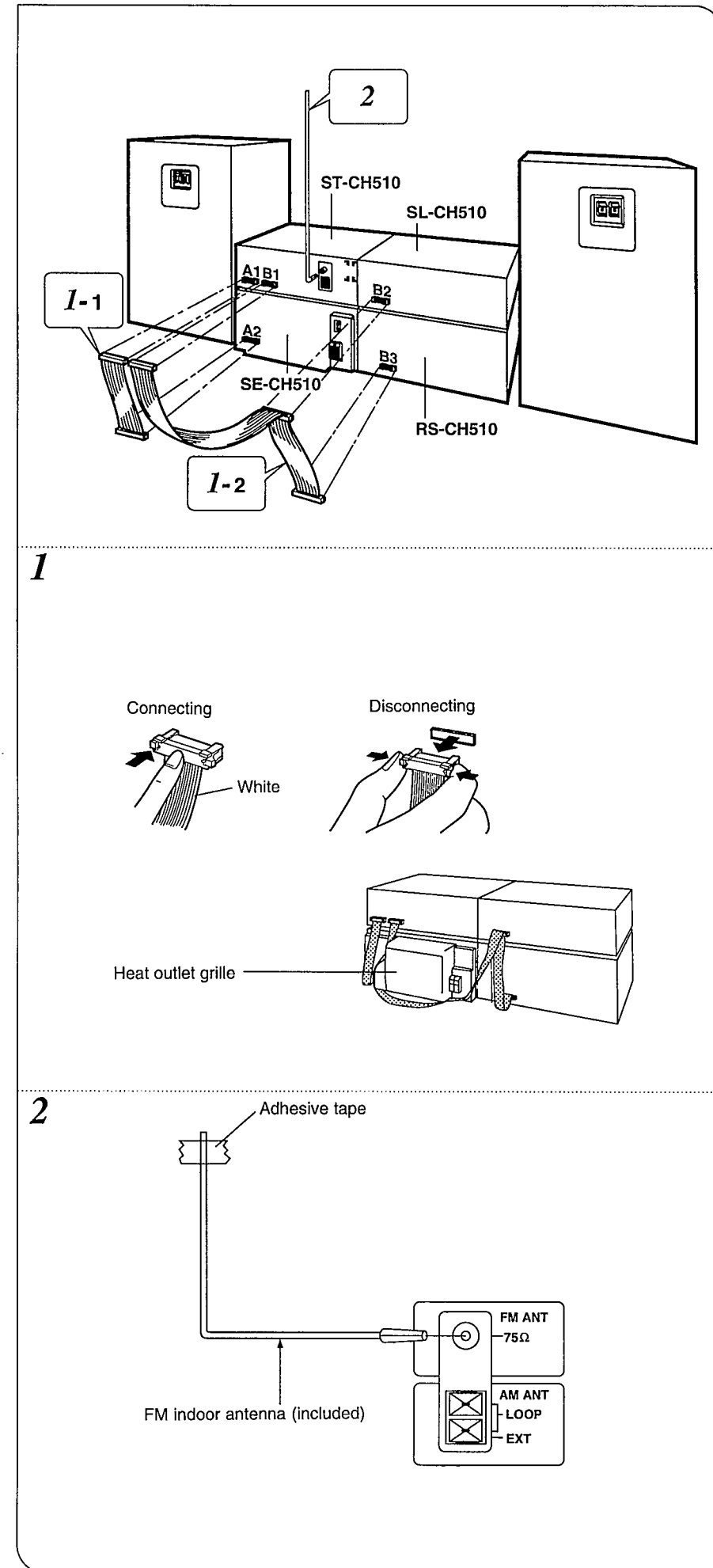
2 Connect the FM indoor antenna.

Install the antenna on a wall at a height and in a direction which result in the best reception.

The tip of the internal antenna wire should not come into contact with any metal objects.

When you cannot get a good reception with this FM indoor antenna, we recommend you install an FM outdoor antenna (not included).

(To be continued)



(Continued)

3 Connect the AM (MW/LW) loop antenna.

1. Attach the antenna holder to the rear panel of the tuner/sound processor. Press the antenna holder hard enough to get it fixed firmly in the place, with a click.
2. Clamp the antenna to the antenna holder.
3. Connect the antenna terminal to the rear panel of the tuner/sound processor.

- ① Strip off the outer covering.
- ② Twist the wire.
- ③ Insert the wire to the terminal of the tuner/sound processor.
- ④ Close the lever of the terminal.

(After you have connected all other cables)

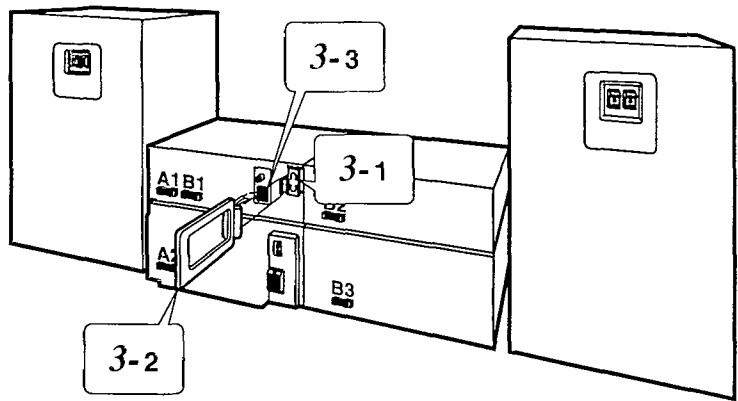
4. While listening to a MW/LW broadcast, position the loop antenna for the best reception.

You may attach the antenna holder to a rack or other structure. Use a screw (included) to attach as showed in the figure. **A**

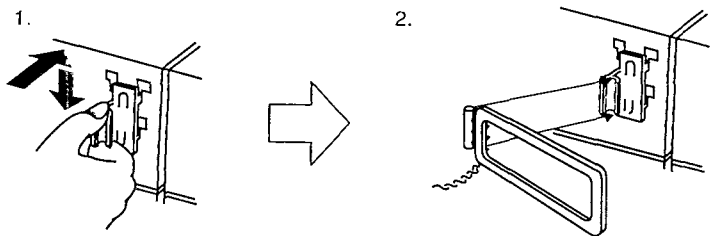
Note

To minimize noise pickup, keep the AM loop antenna cord away from the flat cables.

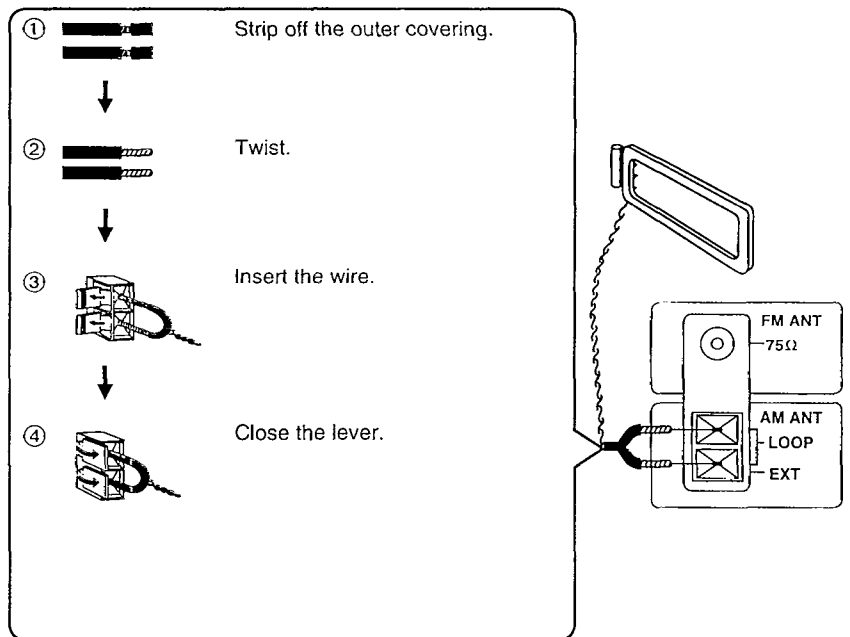
(To be continued)



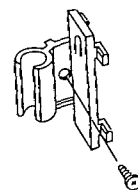
3



3.



A



(Continued)

4 Connect the right (R) left (L) speaker cables.

Note

Be sure to connect speaker cables before connecting the AC power supply cord.

- The load impedance of any speaker used with this unit must be 6–8Ω.

Connection of speaker cables **A**

1. Strip off the outer covering, and twist the center conductor. Make sure the bare ends of the wires are not unraveled. (If they are, twist them tight again.)
2. ① Tilt the lever back and insert the wire.
② Close the lever and pull the cord gently to be sure that it is secured.
3. Insert the wire to the rear panel of the amplifier, and close the lever.

Notes

- To prevent damage to circuitry, never short-circuit positive (+) and negative (-) speaker wires.
- Be sure to connect only positive (+) wires to positive (+) terminals and negative (-) wires to negative (-) terminals.

5 Connect the AC power supply cord after you have connected all other cables and cords.

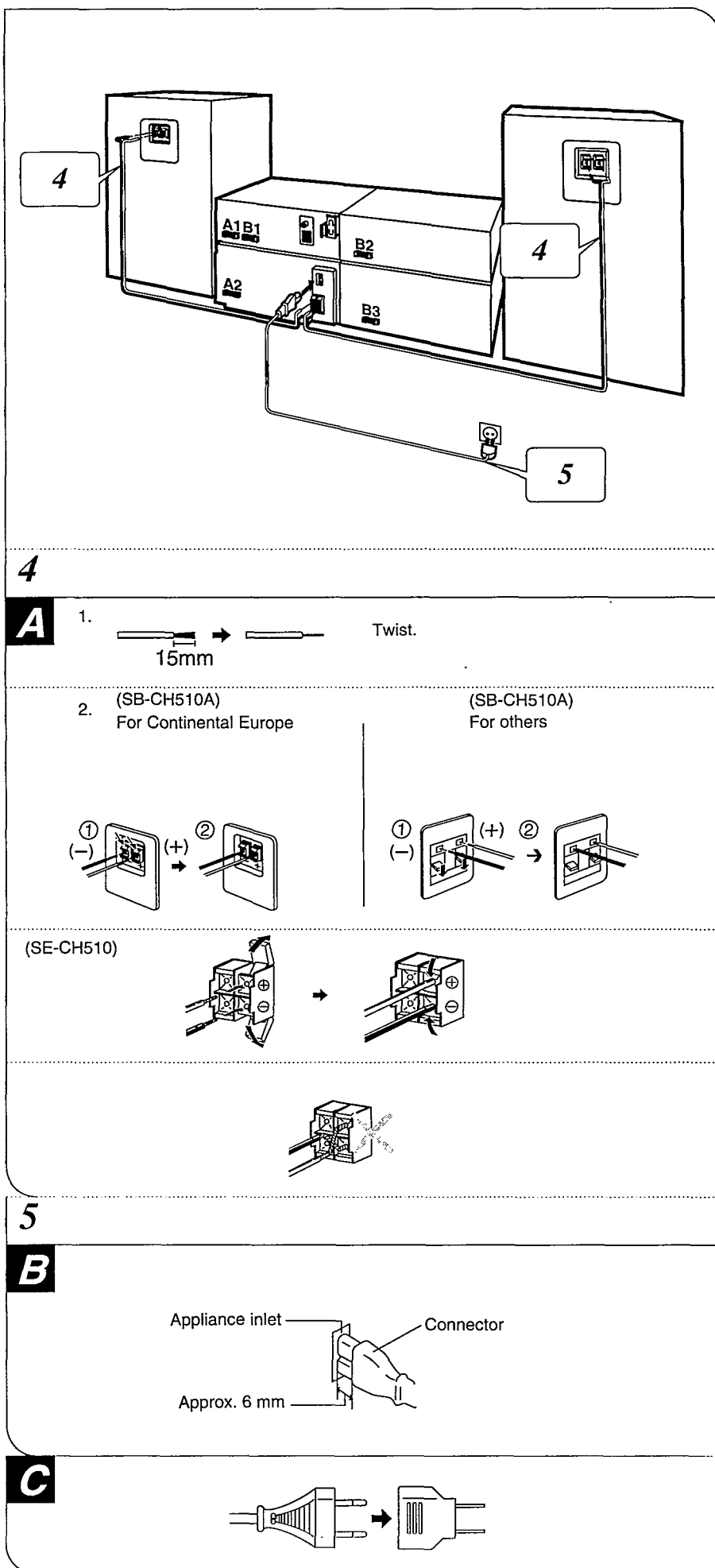
Insertion of connector **B**

Even when the connector is perfectly inserted, depending on the type of inlet used, the front part of the connector may jut out as shown in the drawing. However there is no problem using the unit.

For areas except for Continental Europe **C**

If the power plug will not fit your socket, use the power plug adaptor (included).

(To be continued)



(Continued)

Optional antenna connections**FM outdoor antenna (not included)****A**

You may need an outdoor antenna if you use this system in a mountainous region or inside a reinforced-concrete building, etc. An outdoor antenna should be installed by a competent technician only.

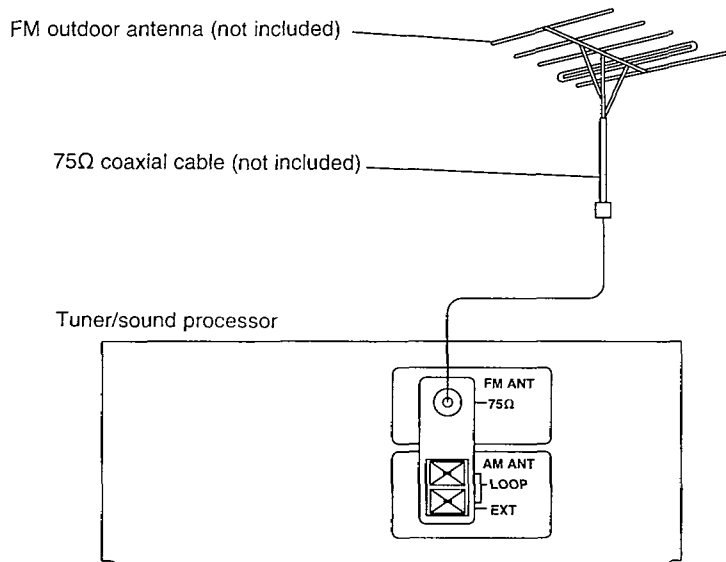
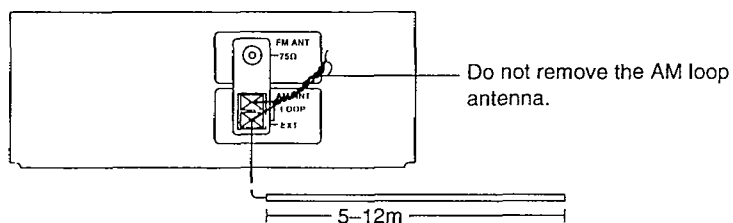
AM (MW/LW) outdoor antenna (not included) B

An outdoor antenna may be required in a mountainous region, or if this system is located inside a reinforced-concrete building, etc.

Connect the outdoor antenna without removing the AM loop antenna.

Run 5 to 12 m of vinyl-covered wire horizontally along a window or other convenient location.

(To be continued)

A**B**

(Continued)

External unit connection

- For details, refer to the Operating Instructions of the units which are to be connected.
- When units other than those described below are to be connected, please consult with your audio dealer.

Connecting the stereo connection cable (not included) **A**

Connect the red plug to the right (R) connector.
Connect the white plug to the left (L) connector.

DCC (digital compact cassette deck) **B**

Analog player

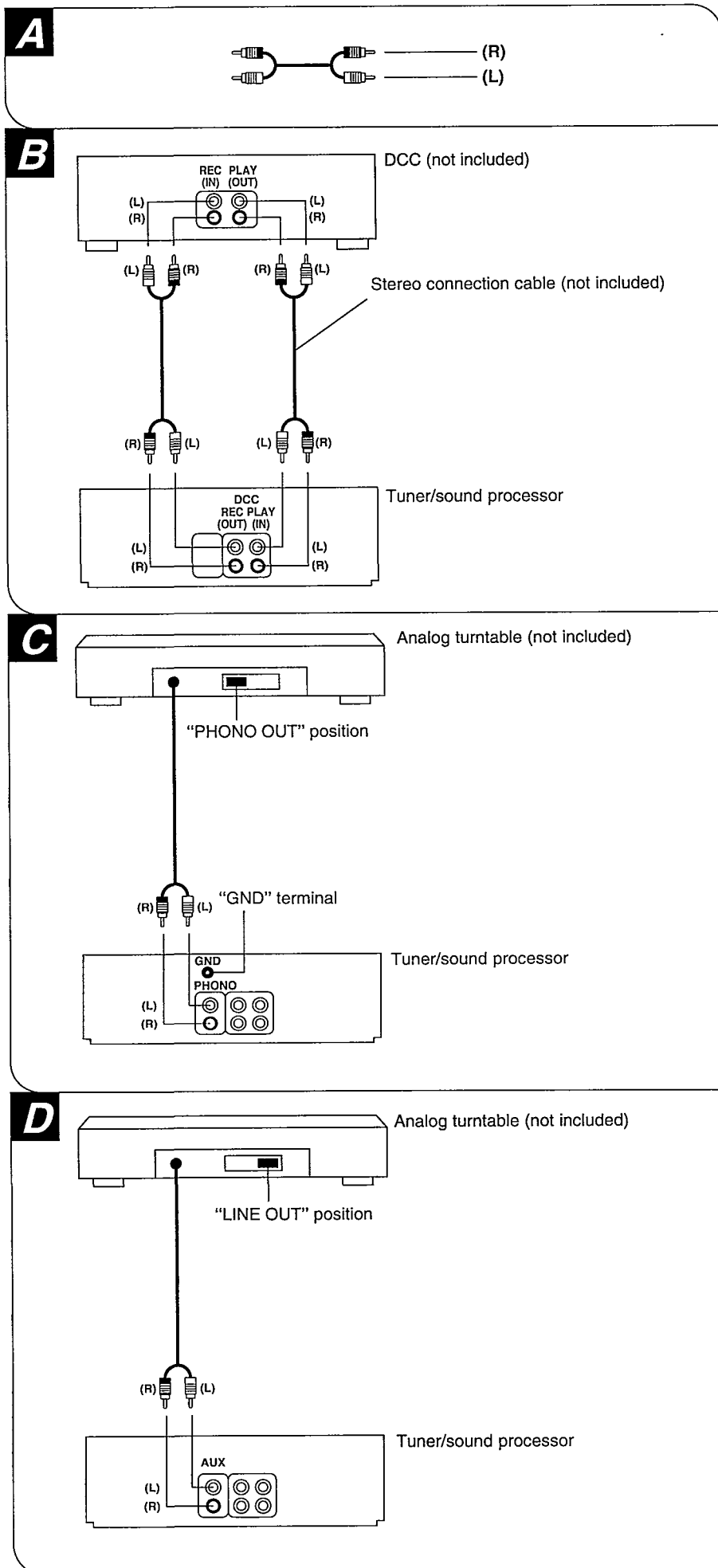
This example shows how to connect the analog player with the PHONO OUT/LINE OUT switch.

For Continental Europe: **C**

"GND" terminal is for a ground wire use.
Set the PHONO OUT position at the back of the analog turntable.

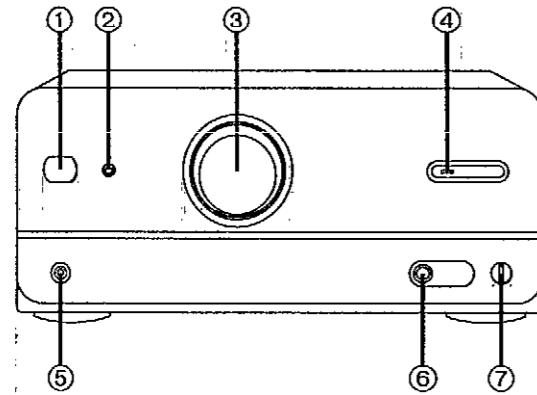
For others: **D**

Only an analog turntable with a built-in phono equalizer can be connected.
Set the LINE OUT position at the back of the analog turntable.



Location of Controls

- ① Power "STANDBY \odot /ON" switch (POWER, STANDBY \odot /ON)
Press to switch the unit from on to stand-by mode or vice versa. In standby mode, the unit is still consuming a small amount of power.
- ② Standby indicator (STANDBY)
When the unit is connected to the AC mains supply, this indicator lights up in standby mode and goes out when the unit is turned on.
- ③ Volume control
- ④ Power indicator
- ⑤ Headphones jack (ϕ 3.5, 32 Ω)
- ⑥ Microphone jack (ϕ 6.3, 600 Ω)
- ⑦ Microphone volume control

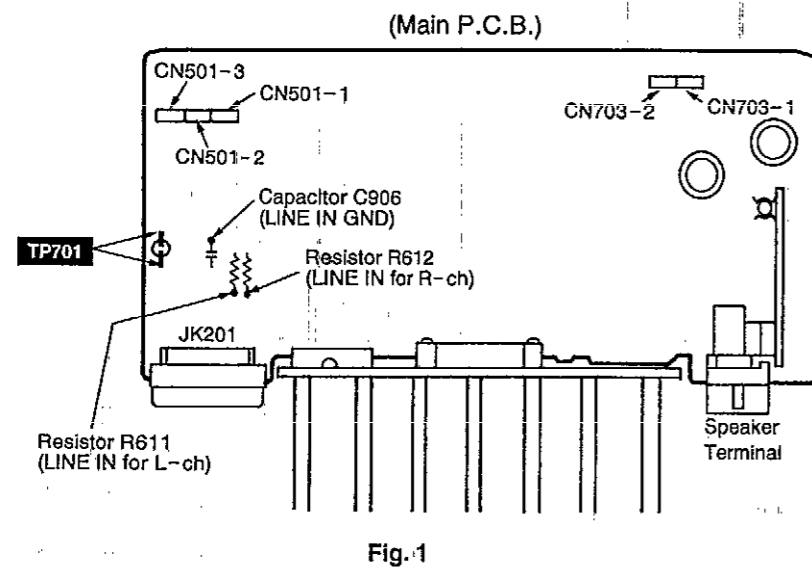


Power Source ON/OFF of This Unit SE-CH510

1. Connect the AC power cord of this unit to an AC outlet and turn it on.
(This unit comes to stand-by mode.)
2. Make test point TP701 (TP701) short as shown in Fig. 1.
POWER indicator lights and this unit comes to power ON mode.

Operation Check

1. Set this unit to power ON mode.
2. Input a signal (1 kHz, 100 mV) to the section between the resistor R611 (LINE IN for L-ch) and the capacitor C906 (LINE IN GND) as well as the section between the resistor R612 (LINE IN R-ch) and the capacitor C906 (LINE IN GND).
3. Connect the speaker to the speaker terminals and check if it sounds from the speaker.



Operation Check and Main Component Replacement Procedures

NOTE

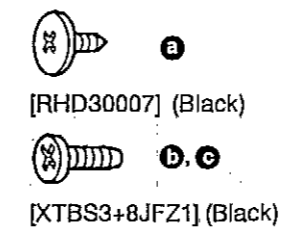
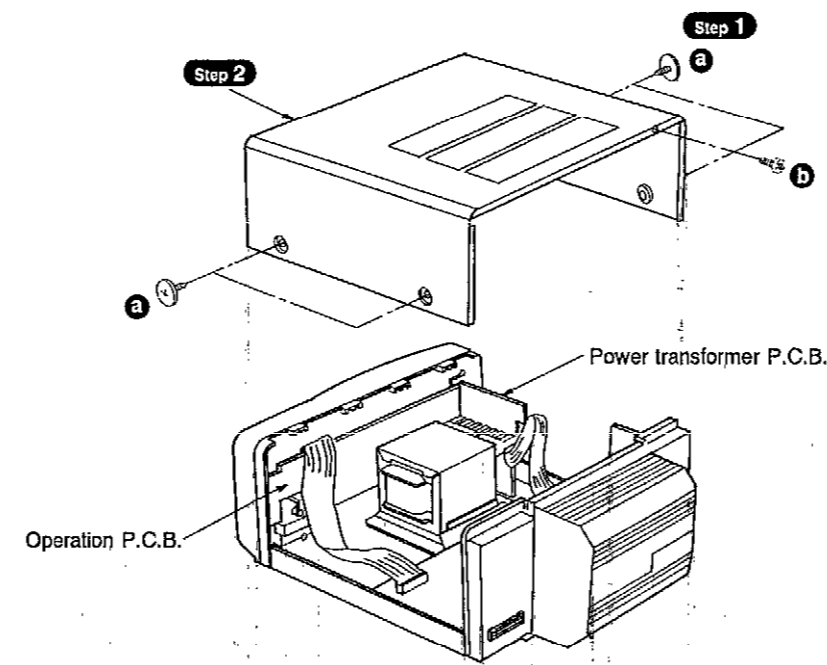
1. This section describes procedures for checking the operation of the major printed circuit boards and replacing the main components.
2. For reassembly after operation checks or replacement, reverse the respective procedures. Special reassembly procedures are described only when required.
3. Select items from the following index when checks or replacement are required.
4. Illustrated screws are equivalent to actual size.
5. Refer the parts No. on the page of "Main Component Replacement Procedures", if necessary.

Contents

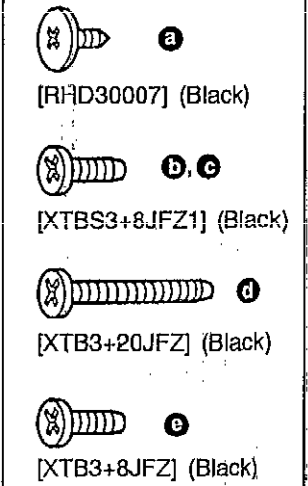
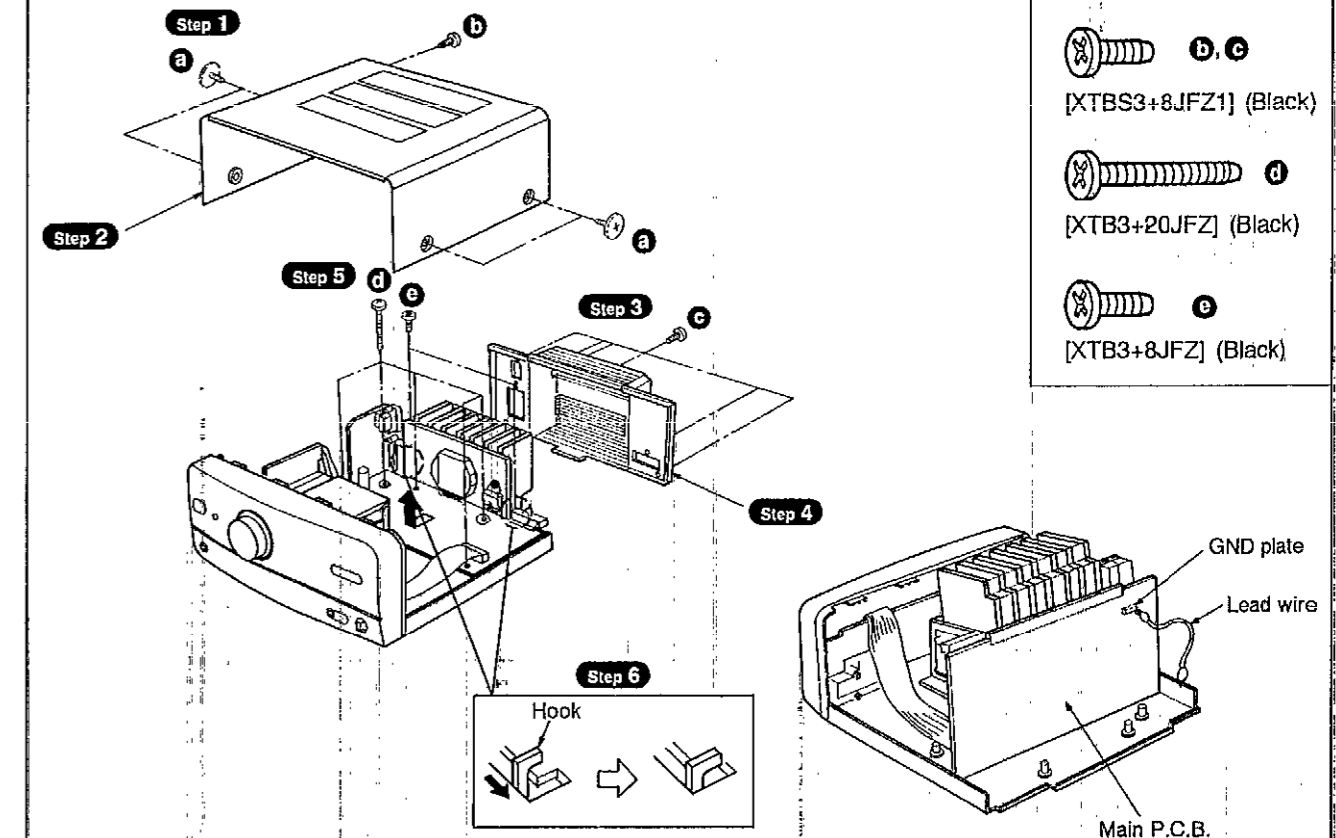
	Page
• Checking Procedure for each P.C.B.	
1. Checking for the operation P.C.B. and power transformer P.C.B.	12.
2. Checking for the main P.C.B.	13.
• Main Component Replacement Procedures	
1. Replacement for the power IC and regulator transistors	13.

Checking Procedure for each P.C.B.

1. Checking for the operation P.C.B. and power transformer P.C.B.



2. Checking for the main P.C.B.



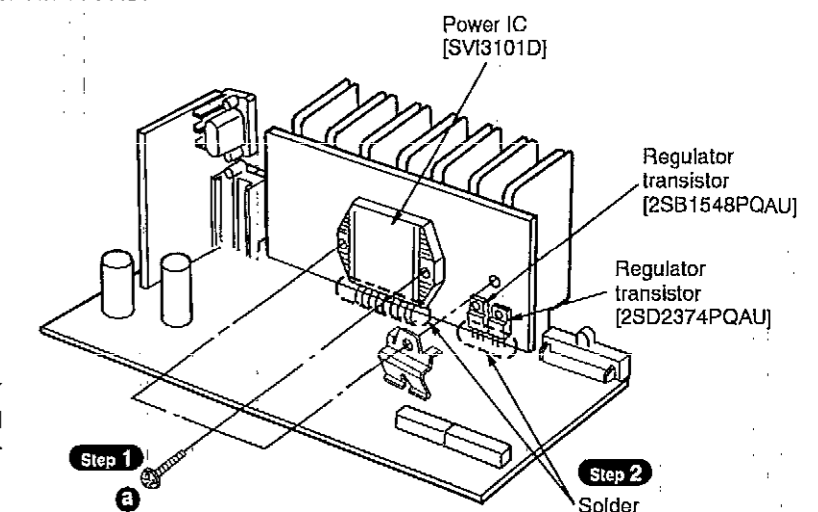
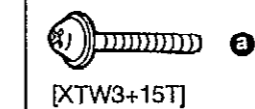
Main Component Replacement Procedures

1. Replacement for the power IC and regulator transistors

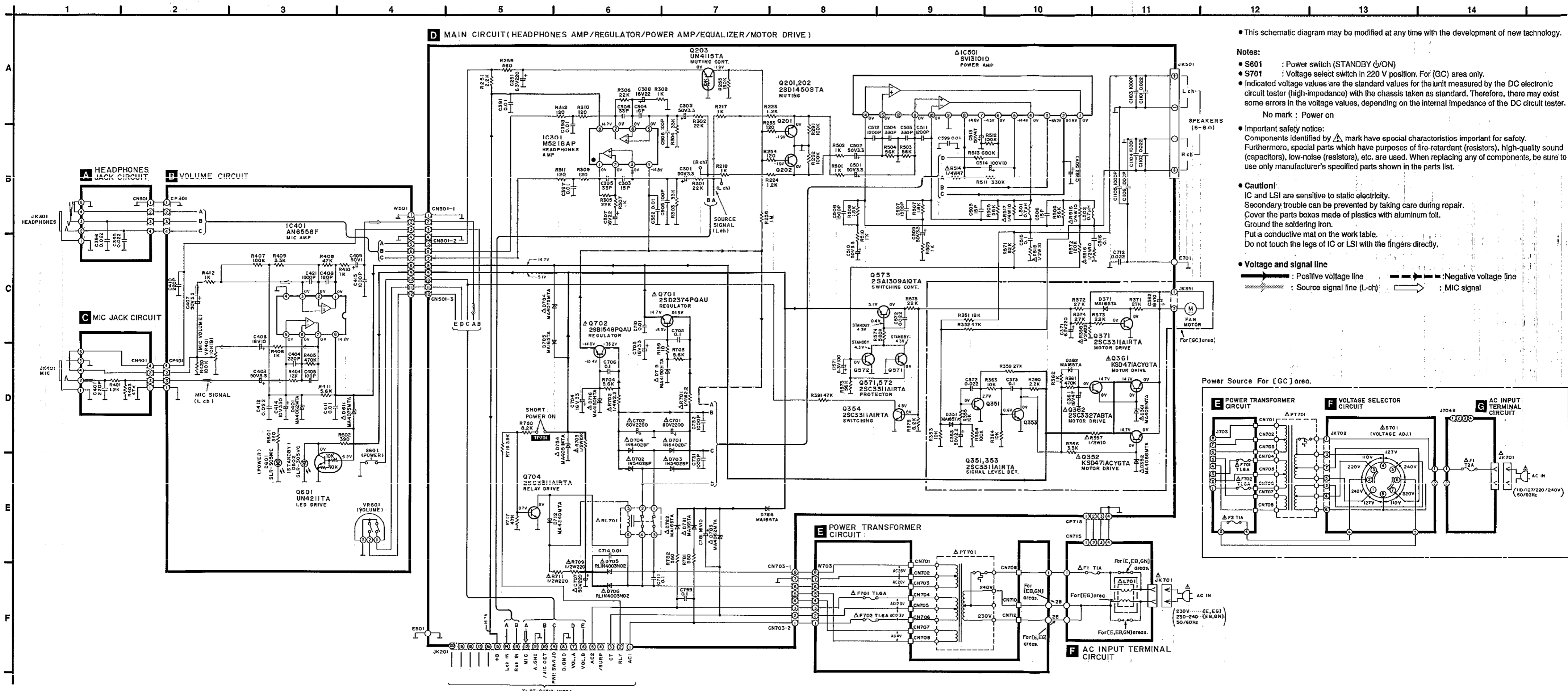
- Follow the item 2 in checking procedure for each P.C.B. on this page.

NOTE

When mounting the power IC or regulator transistor, apply silicone compound (RFKX0002) to the rear side of power IC or regulator transistors.



Schematic Diagram (Parts list on Page 22~24)



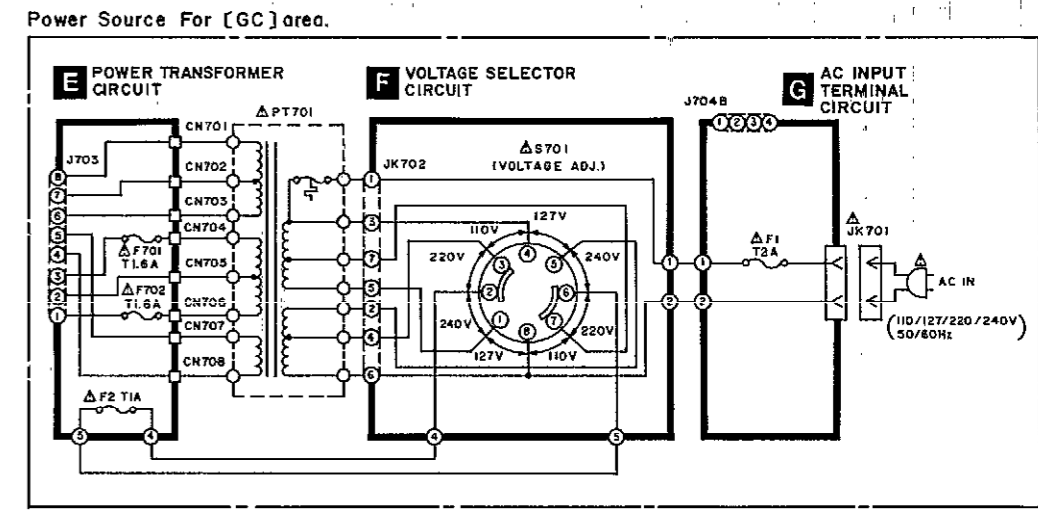
This schematic diagram may be modified at any time with the development of new technology.

- Notes:
- S601 : Power switch (STANDBY ϕ /ON)
 - S701 : Voltage select switch in 220 V position. For (GC) area only.
 - Indicated voltage values are the standard values for the unit measured by the DC electronic circuit tester (high-impedance) with the chassis taken as standard. Therefore, there may exist some errors in the voltage values, depending on the internal impedance of the DC circuit tester.
 - No mark : Power on

Important safety notice:
 Components identified by Δ mark have special characteristics important for safety. Furthermore, special parts which have purposes of fire-retardant (resistors), high-quality sound (capacitors), low-noise (resistors), etc. are used. When replacing any of components, be sure to use only manufacturer's specified parts shown in the parts list.

Caution!
 IC and LSI are sensitive to static electricity. Secondary trouble can be prevented by taking care during repair. Cover the parts boxes made of plastics with aluminum foil. Ground the soldering iron. Put a conductive mat on the work table. Do not touch the legs of IC or LSI with the fingers directly.

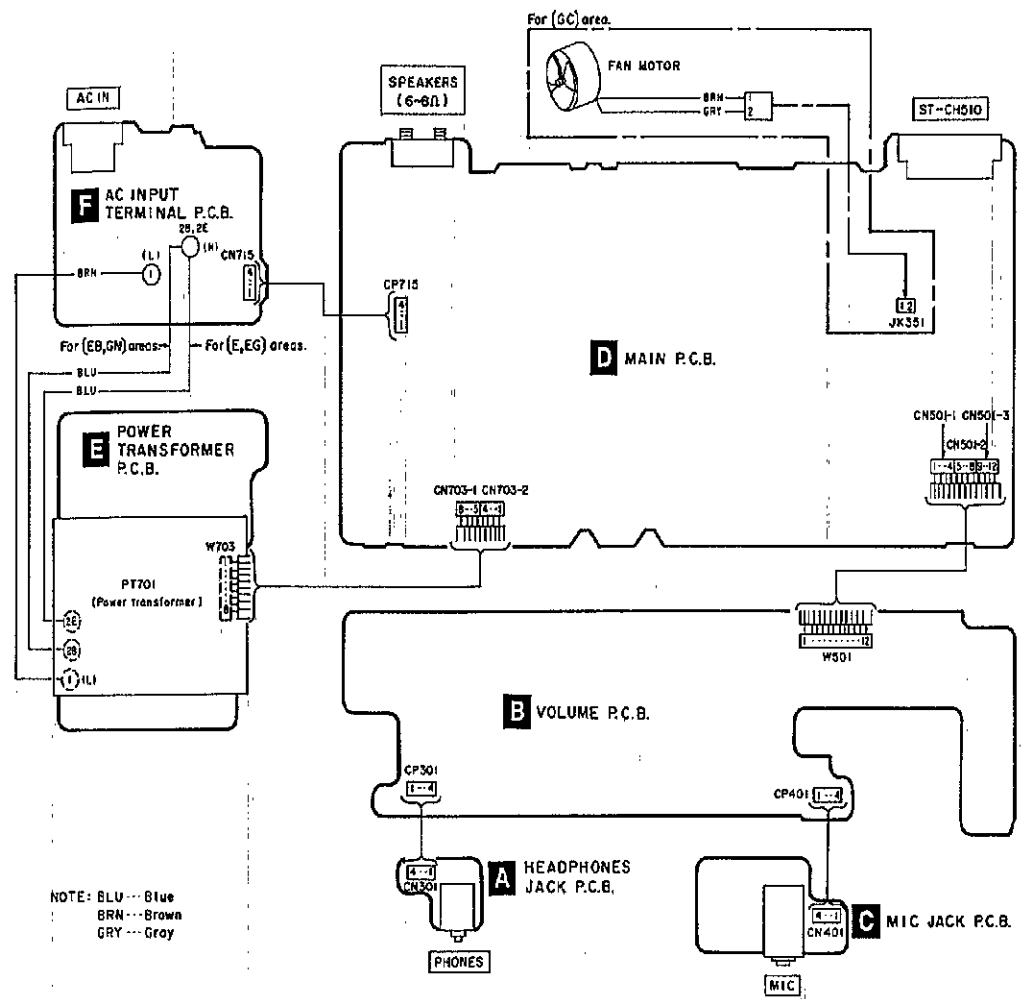
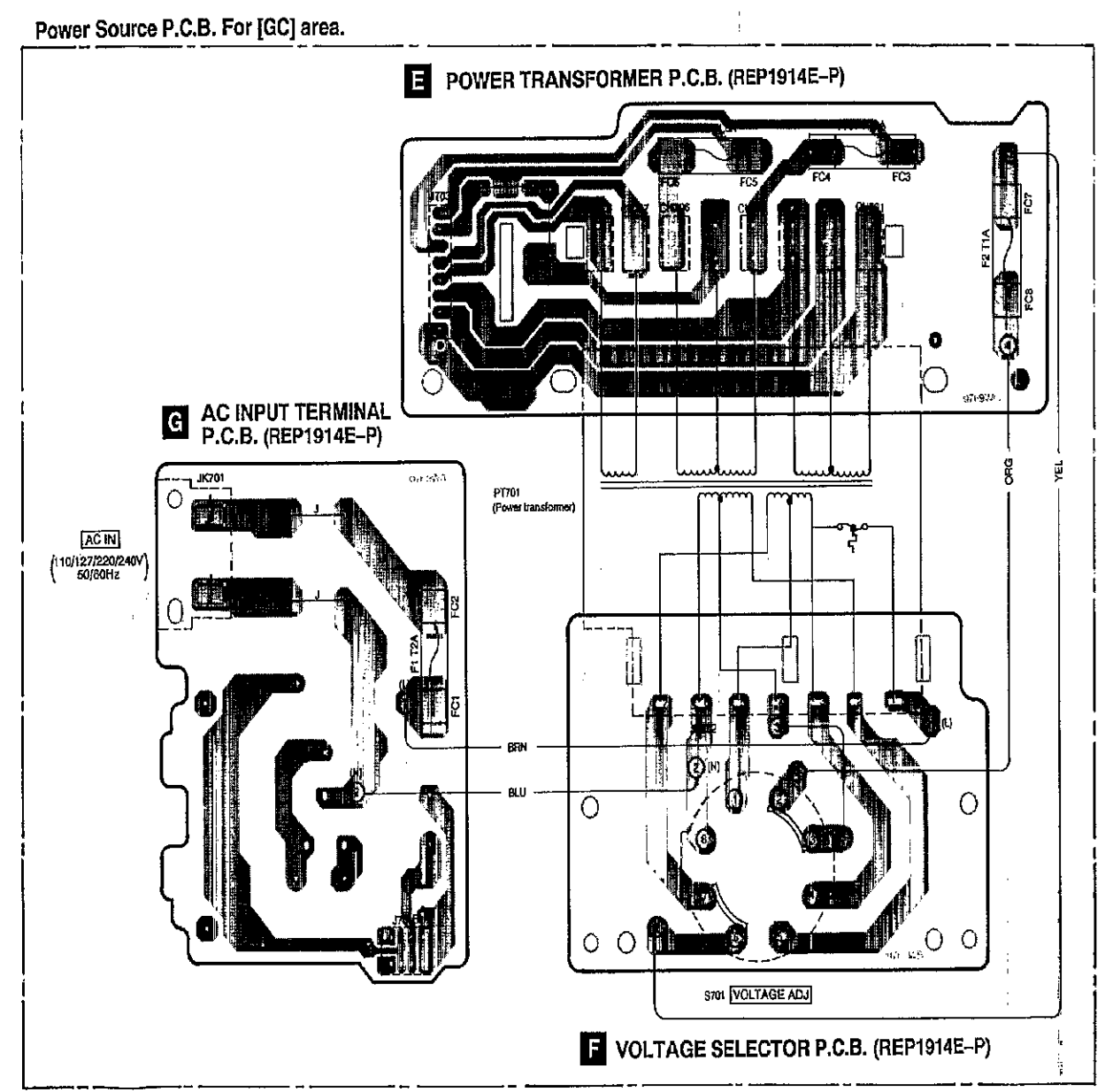
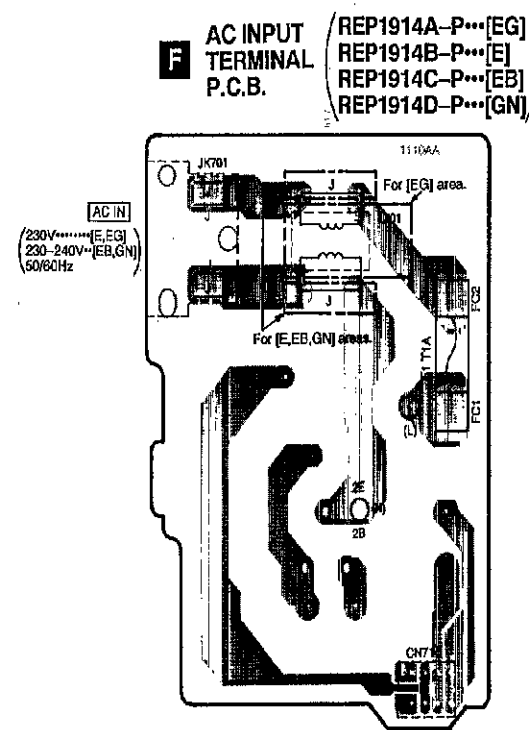
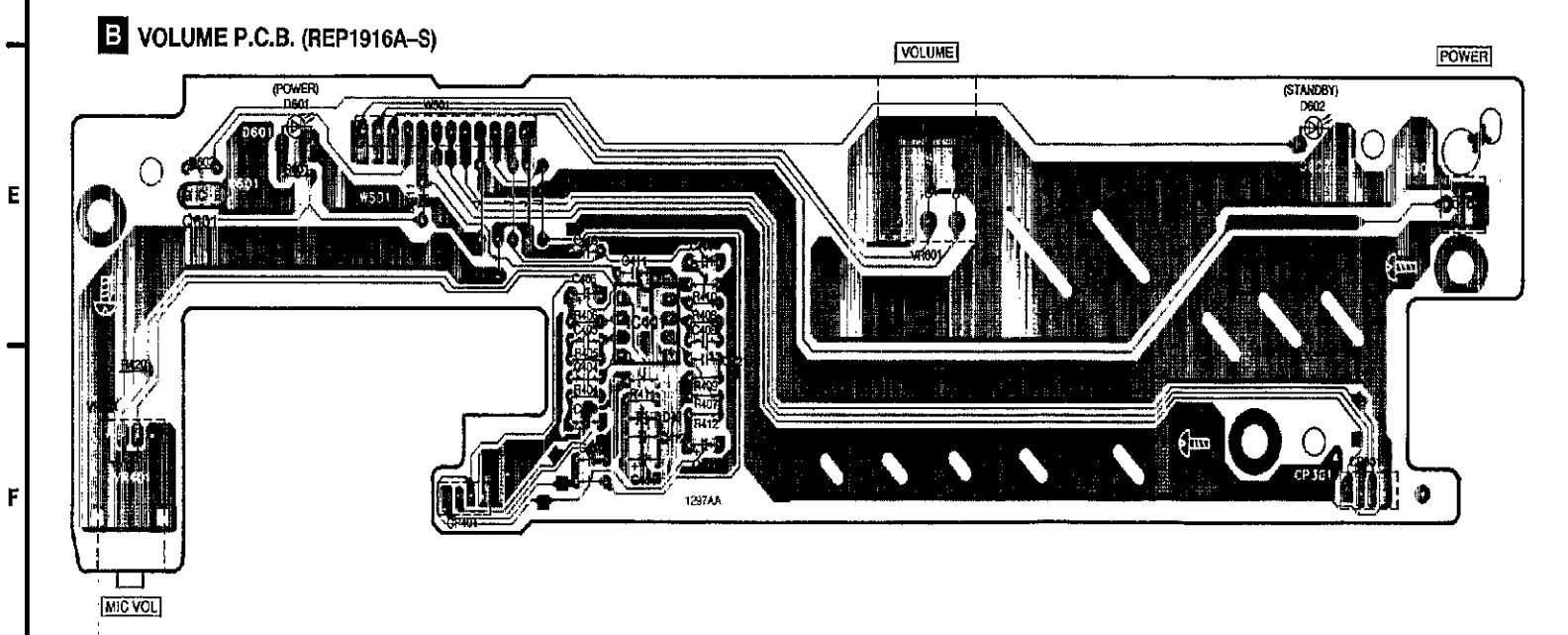
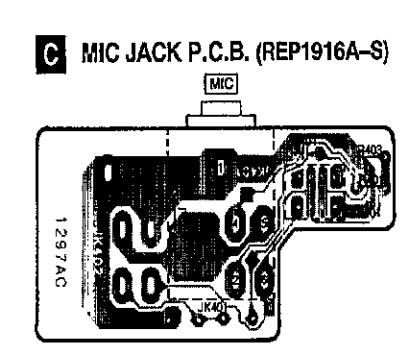
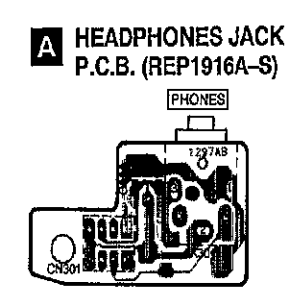
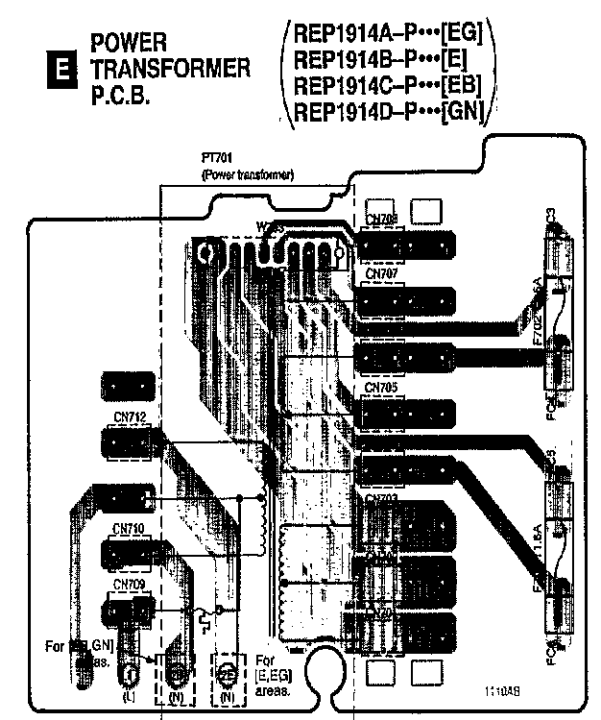
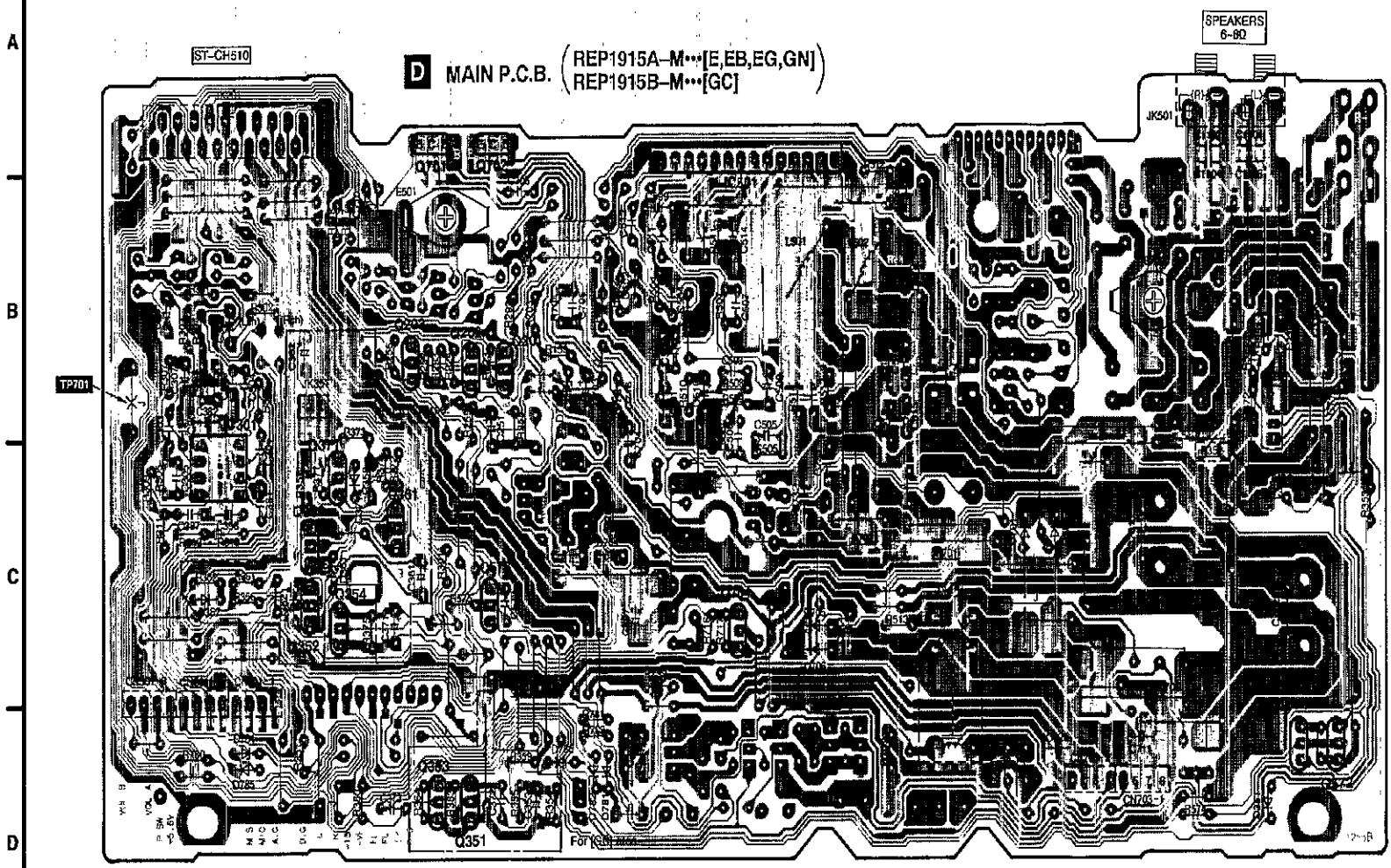
Voltage and signal line
 ——— : Positive voltage line
 - - - - - : Negative voltage line
 ~~~~~ : Source signal line (L-ch)  
 ——— : MIC signal



Printed Circuit Board Diagram

Wiring Connection Diagram

This circuit board diagram may be modified at any time with the development of new technology.

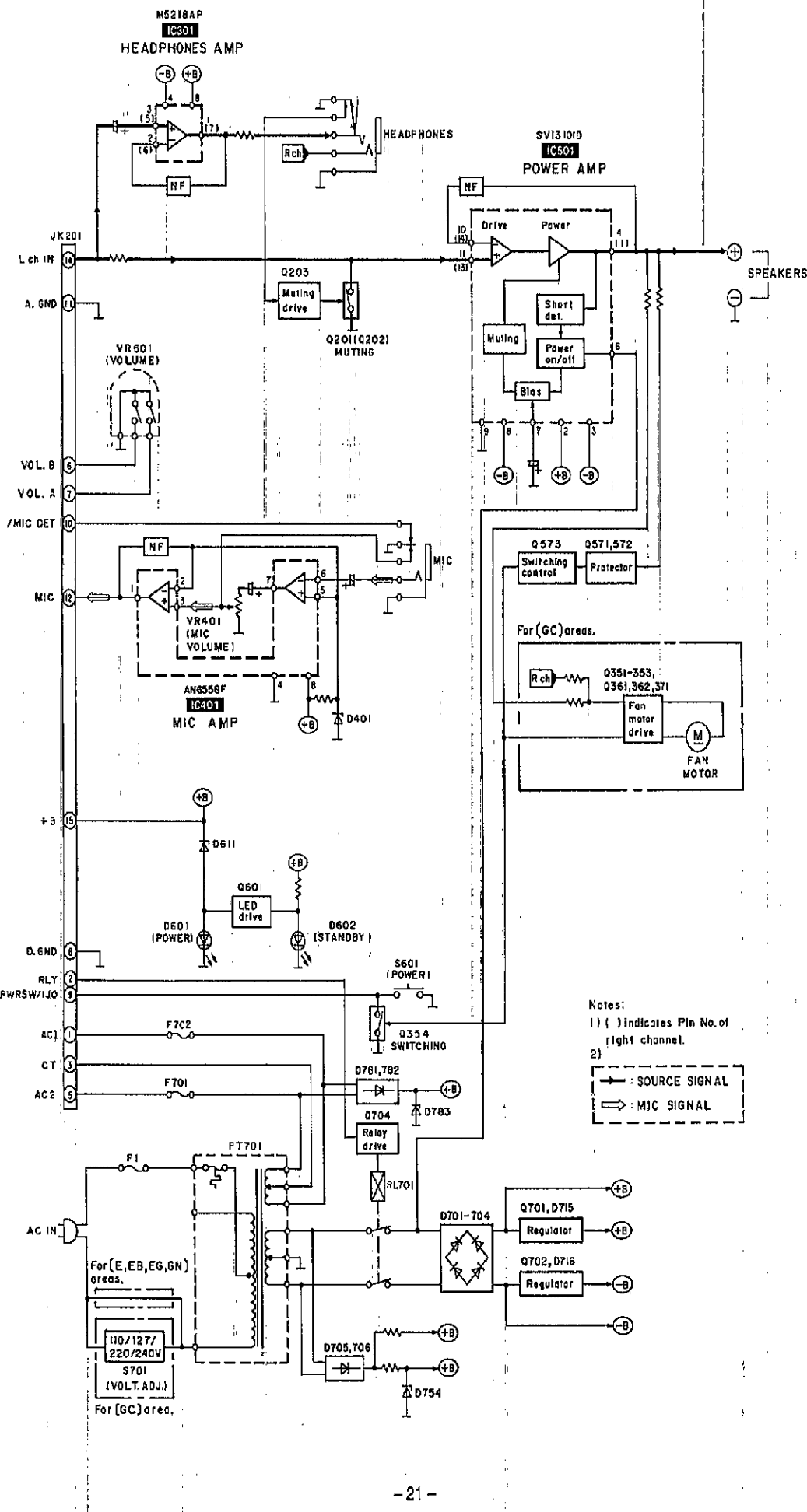


NOTE: BLU...Blue  
BRN...Brown  
GRY...Gray

Terminal Guide of IC's, Transistors and Diodes

|                                                                    |                            |                             |                                |                 |
|--------------------------------------------------------------------|----------------------------|-----------------------------|--------------------------------|-----------------|
| AN6558F<br>                                                        | M5218AP<br>                | SVI3101D<br>                | 2SB1548PQAU<br>2SD2374PQAU<br> | 2SC3327ABTA<br> |
| UN4115<br>UN4211<br>2SA1309A1QTA<br>2SC3311A1RTA<br>2SD1450RTA<br> | KSD471ACYGTA<br>           | 1N5402BF<br>RL1N4003N02<br> | MA4150M<br>MA4240H<br>         |                 |
| MA4051MTA<br>MA4062MTA<br>MA4088M<br>MA4075MTA<br>MA4091MTA<br>    | SLR-305VC<br>SLR-305MC<br> | MA165TA<br>                 |                                |                 |

Block Diagram



Replacement Parts List

Notes: \*Important safety notice: Components identified by  $\Delta$  mark have special characteristics important for safety. Furthermore, special parts which have purposes of fire-retardant (resistors), high-quality sound (capacitors), low-noise (resistors), etc. are used.

Table with 4 columns: Ref. No., Part No., Part Name & Description, Remarks. Lists various electronic components such as transistors, diodes, resistors, and integrated circuits.

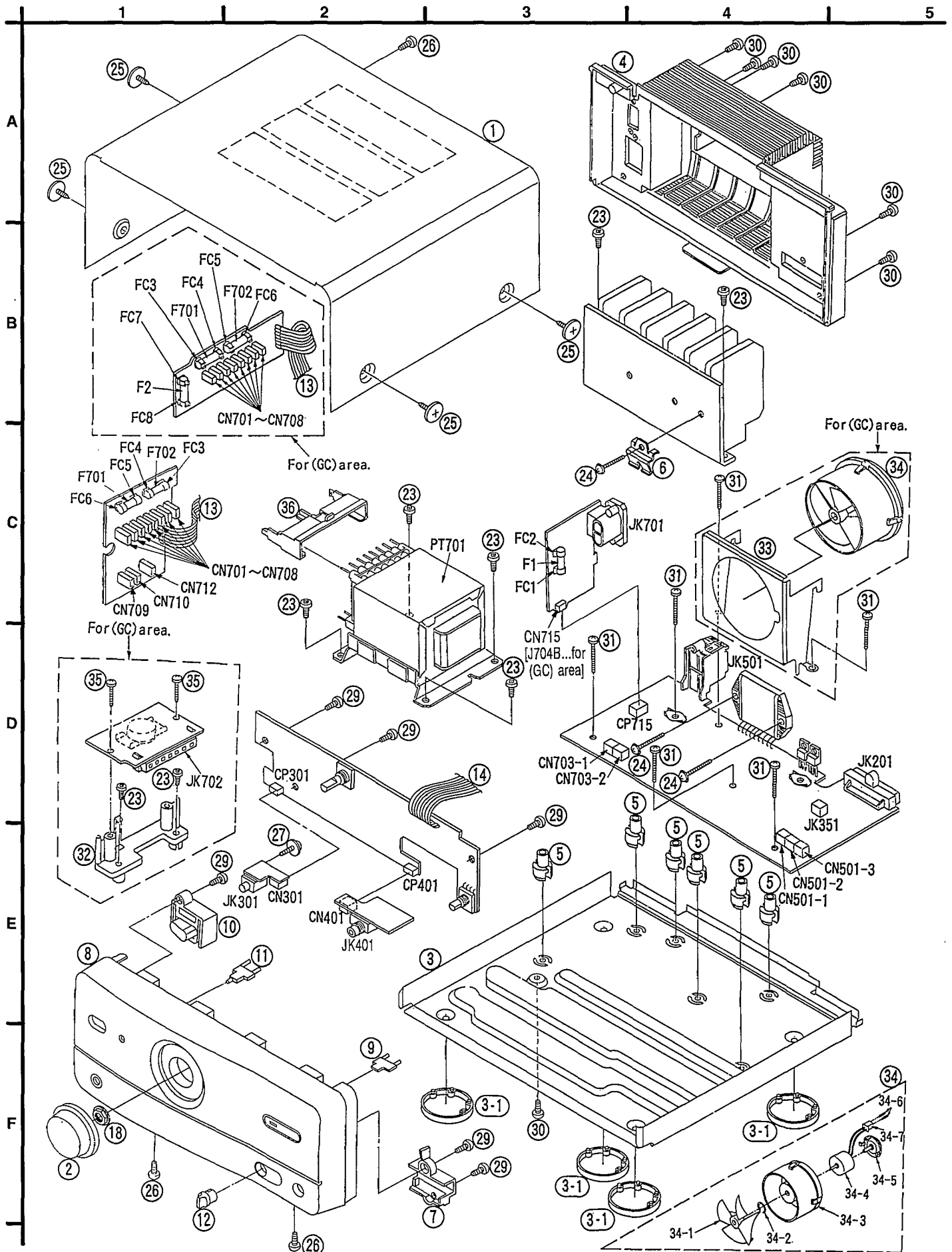
Table with 4 columns: Ref. No., Part No., Part Name & Description, Remarks. Lists various electronic components including fuses, relays, transformers, and connectors.

Notes: \* Capacity values are in microfarads ( $\mu$ F) unless specified otherwise, P-Pico-farads (pF) F=Farads (F) \* Resistance values are in ohms, unless specified otherwise, 1K=1,000 (OHM) , 1M=1,000K (OHM)

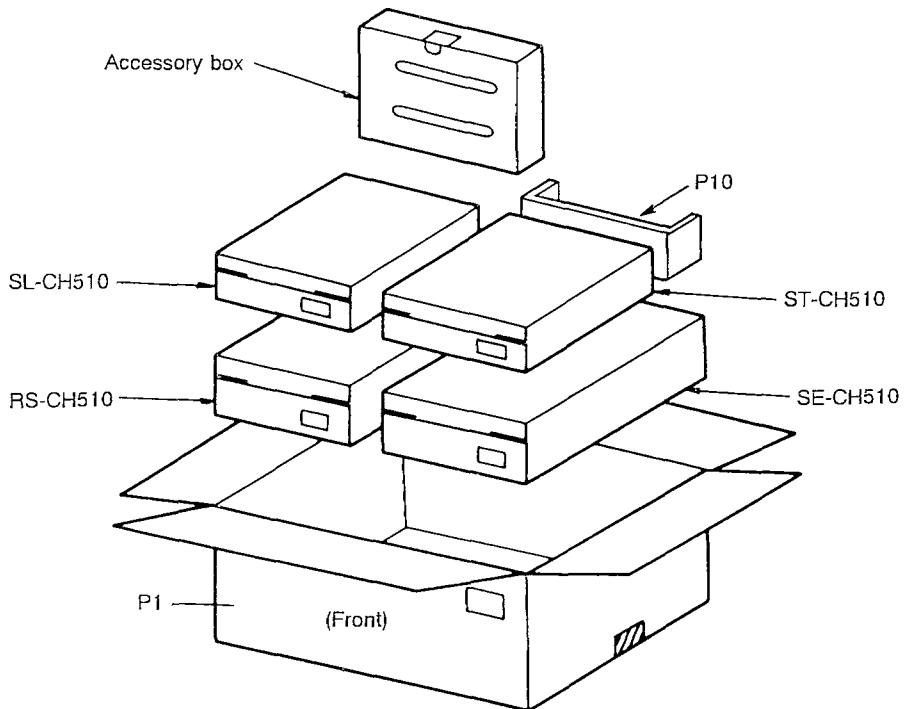
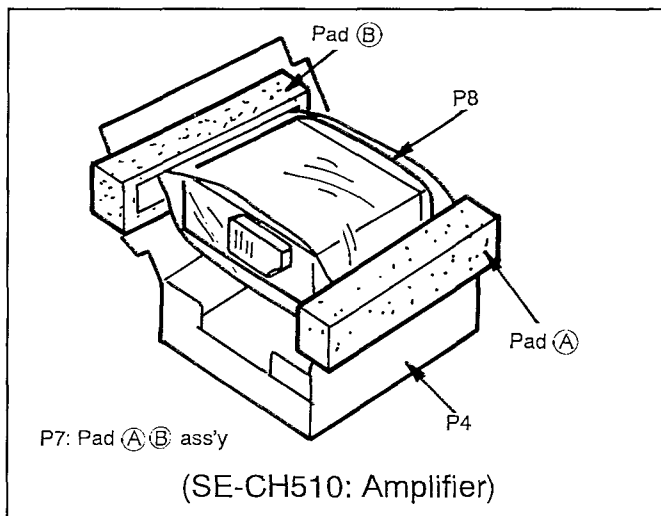
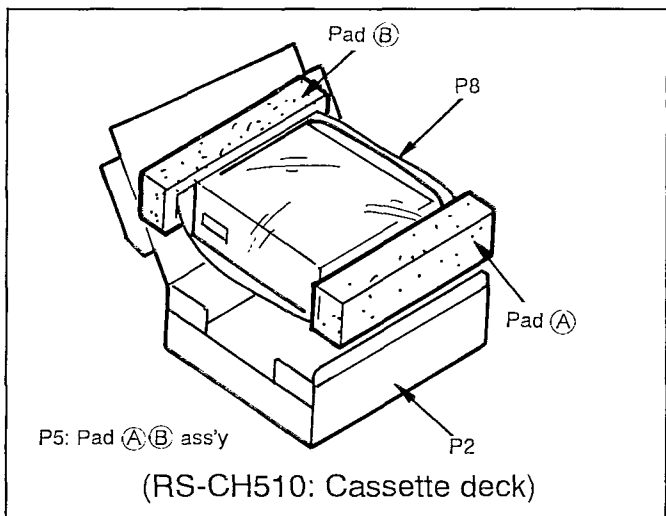
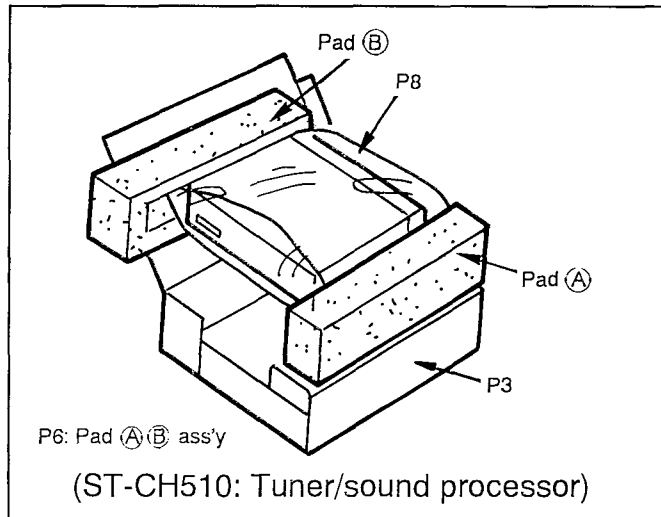
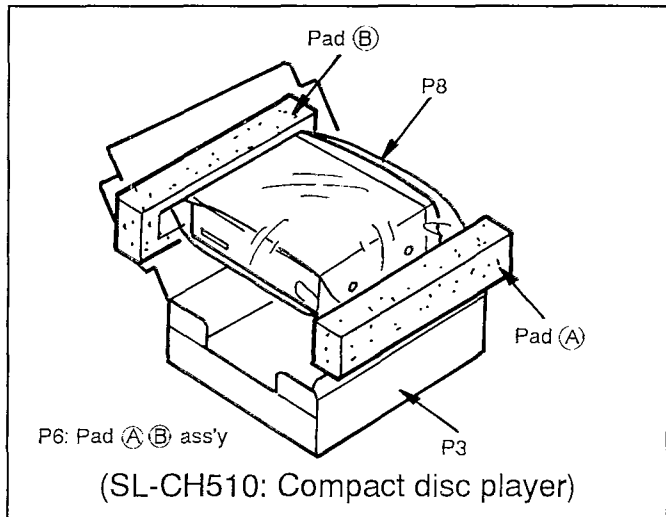
Table with 4 columns: Ref. No., Part No., Values & Remarks, Remarks. Lists various electronic components including resistors, capacitors, and diodes.

| Ref. No. | Part No.     | Part Name & Description | Remarks         | Ref. No. | Part No.     | Part Name & Description    | Remarks            |
|----------|--------------|-------------------------|-----------------|----------|--------------|----------------------------|--------------------|
|          |              | CABINET PARTS LIST      |                 | P3       | RPG2232      | PACKING CASE (CD-TUNER)    |                    |
|          |              |                         |                 | P4       | RPG2230      | PACKING CASE (AMPLIFIER)   |                    |
|          |              |                         |                 | P5       | RPN0815      | PAD (DECK)                 |                    |
| 1        | RKMO265A-K   | CABINET                 |                 | P6       | RPN0816      | PAD (CD-TUNER)             |                    |
| 2        | RGW0207-K    | KNOB, MAIN VOLUME       |                 | P7       | RPN0817      | PAD (AMPLIFIER)            |                    |
| 3        | RFKJE1060EK  | BOTTOM BOARD ASS' Y     | (E, EB, EG, GN) | P8       | SPP740       | PROTECTION COVER           |                    |
| 3        | RFKJE1060GCK | BOTTOM BOARD ASS' Y     | (GC)            | P9       | RPQF0047     | ACCESSORIES BOX            |                    |
| 3-1      | RKA0011-3    | FOOT                    |                 | P10      | RPQ0458      | SPACER                     |                    |
| 4        | RFKHECH510EB | REAR PANEL ASS' Y       | (EB, GN)        | P11      | XZB25X34C03Y | PROTECTION COVER           |                    |
| 4        | RFKHECH510EG | REAR PANEL ASS' Y       | (EG)            |          |              | ACCESSORIES                |                    |
| 4        | RFKHECH510GC | REAR PANEL ASS' Y       | (GC)            |          |              |                            |                    |
| 4        | RKF0376C-K   | REAR GRILL ASS' Y       | (E)             | A1       | RAK-CH144WH  | REMOTE CONTROL TRANSMITTER |                    |
| 5        | RKQ0089      | P. C. B. SPACER         |                 | A1-1     | RKK0057-K    | BATTERY COVER              |                    |
| 6        | RMCO158      | TRANSISTOR HOLDER       |                 | A2       | REF0499      | SPEAKER CORD               |                    |
| 7        | RMNO277      | HOLDER                  |                 | A3       | REX0511      | FLAT CABLE (LONG TYPE)     |                    |
| 8        | RFKGECH510EK | FRONT PANEL ASS' Y      |                 | A4       | REX0608      | FLAT CABLE (SHORT TYPE)    |                    |
| 9        | RFKNECH510EA | PANEL LIGHT A           |                 | A5       | RJA0019-2A   | AC POWER SUPPLY CORD       | △ (E, EG, GC) (SF) |
| 10       | RGU1077-K    | BUTTON, POWER           |                 | A5       | VJA0733      | AC POWER SUPPLY CORD       | △ (EB) (SF)        |
| 11       | RFKNECH510EB | PANEL LIGHT B           |                 | A5       | RJA0036-K    | AC POWER SUPPLY CORD       | △ (GN)             |
| 12       | RGW0178-1K   | KNOB, MIC VOLUME        |                 | A6       | RFKSECH510EK | INSTRUCTION MANUAL         | (E)                |
| 13       | RWJ1808130XX | FLAT CABLE (8P) (W703)  | (E, EB, EG, GN) | A6       | RFKSECH510EB | INSTRUCTION MANUAL         | (EB)               |
| 13       | RWJ1808100XX | FLAT CABLE (8P) (J703)  | (GC)            | A6       | RQT2591-E    | INSTRUCTION MANUAL         | (EG)               |
| 14       | RWJ1812220QC | FLAT CABLE (12P) (W501) |                 | A6       | RQT2590-G    | INSTRUCTION MANUAL         | (GC)               |
| 18       | RHN90001     | NUT                     |                 | A6       | RQT2589-B    | INSTRUCTION MANUAL         | (GN)               |
| 23       | XTB3+8JFZ    | SCREW                   |                 | A7       | RQX7433ZA    | WARRANTY CARD              | (GN)               |
| 24       | XTW3+15T     | SCREW                   |                 | A7       | RQA0013      | WARRANTY CARD              | (E, EB, EG)        |
| 25       | RHD30007     | SCREW                   |                 | A8       | RQCB0169     | SERVICE CENTER LIST        |                    |
| 26       | XTBS3+8JFZ1  | SCREW                   |                 | A9       | RSA0007      | FM INDOOR ANTENNA          |                    |
| 27       | RHD26016     | SCREW                   |                 | A10      | RSA0012      | AM LOOP ANTENNA            |                    |
| 29       | XTBS26+10J   | SCREW                   |                 | A10-1    | RMNO244      | ANTENNA HOLDER             |                    |
| 30       | XTB3+10JFZ   | SCREW                   |                 | A10-2    | XTN2+12AFZ   | SCREW                      |                    |
| 31       | XTB3+20JFZ   | SCREW                   |                 | A11      | SJP9009      | ATTACHMENT PLUG            | (EB)               |
| 32       | RMNO190      | HOLDER                  | (GC)            | A12      | SJP5213-2    | POWER PLUG ADAPTOR         | (GC)               |
| 33       | RMNO282      | FAN ANGLE               | (GC)            | A13      | RFE0014      | ANTENNA PLUG               | (GC, GN)           |
| 34       | SYE1128-4    | FAN                     | (GC)            |          |              |                            |                    |
| 34-1     | SHE232       | FAN                     | (GC)            |          |              |                            |                    |
| 34-2     | SUS271       | SPRING                  | (GC)            |          |              |                            |                    |
| 34-3     | SHE233-1     | FAN CASE                | (GC)            |          |              |                            |                    |
| 34-4     | MDN-4RB4MRC  | MOTOR                   | (GC)            |          |              |                            |                    |
| 34-5     | SHE234       | CAP                     | (GC)            |          |              |                            |                    |
| 34-6     | SJT783       | TERMINAL                | (GC)            |          |              |                            |                    |
| 34-7     | SJS5215      | CONNECTOR (2P)          | (GC)            |          |              |                            |                    |
| 35       | XTB3+12JFZ   | SCREW                   | (GC)            |          |              |                            |                    |
| 36       | RMNO191      | HOLDER                  |                 |          |              |                            |                    |
|          |              | PACKING MATERIALS       |                 |          |              |                            |                    |
| P1       | RPG2146      | PACKING CASE (SYSTEM)   | (E, EG)         |          |              |                            |                    |
| P1       | RPG2147      | PACKING CASE (SYSTEM)   | (EB)            |          |              |                            |                    |
| P1       | RPG2148      | PACKING CASE (SYSTEM)   | (GC)            |          |              |                            |                    |
| P1       | RPG2150      | PACKING CASE (SYSTEM)   | (GN)            |          |              |                            |                    |
| P2       | RPG2231      | PACKING CASE (DECK)     |                 |          |              |                            |                    |

# Cabinet Parts Location



# ■ Packaging



1044

